



### How to measure for an angled bay window

It's easy to measure for a an angled bay window; there are just 7 easy steps.

### What you'll need

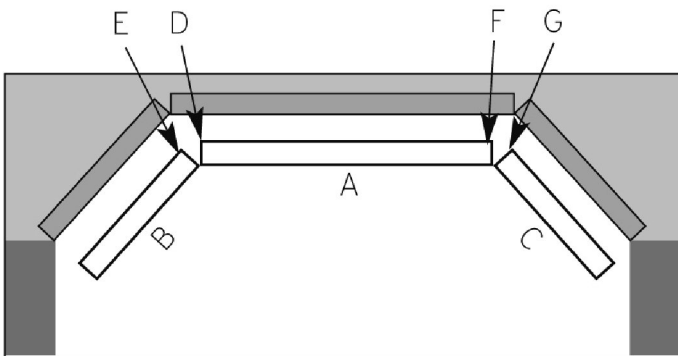
- A tape measure – metal ones are best
- A pencil and paper
- Cardboard and scissors

### Before you begin

First choose the blind type you would like to fit into your bay window, for example Vertical blinds. Different types of blind should not be mixed. Next read about exact and recess measurements [here](#).

### Step 1

Create cardboard cut-outs to use as measuring guides. The cut-out will be 30cm long by the depth of blind you have chosen plus any obstructions. For example when allowing 2cm for handles and choosing a standard Roman with 2.5cm headrail the measurement you'd create a cut-out that is 4.5cm by 30cm ( $2+2.5=4.5\text{cm}$ ).



Blind type	Headrail depth
Roller - 25mm barrel (for widths of blind under 2m)	4.8cm
Roller - 36mm barrel (for widths of blind between 2m and 2.4m)	6.7cm
Roller - 42mm barrel (for widths of blind over 2.4m)	8cm
Roman – standard headrail	2.5cm
Roman – deluxe headrail	4cm
Vertical 89mm	8.5cm
Vertical 127mm	10.5cm
Pleated 20mm	2.1cm
Woodweave	6cm
Venetian 15mm	3.5cm
Venetian 25mm	3.5cm
Venetian 35mm	4.5cm
Venetian 50mm	5.5cm
Wood Venetian 25mm	5cm
Wood Venetian 35mm	5cm
Wood Venetian 50mm	7cm

## Step 2

Place the cut outs in the left angle (between windows 'A' and 'B'), bring them together until the front corners of the cardboard meet and mark with a pencil points 'D' and 'E'.

## Step 3

Place the cut outs in the right angle (between windows 'A' and 'C'), bring them together until the front corners of the cardboard meet and mark with a pencil points 'F' and 'G'.

## Step 4

Measure between points 'D' and 'F' and write down as an **exact** measurement.

## Step 5

Measure from point 'E' to across window 'B' and write down as an **recess** measurement.

## Step 6

Measure from point 'G' to across window 'C' and write down as an **recess** measurement. (Note: if you have a 'closed' bay window i.e. you have a wall at the end of windows 'B' and 'C' opposite window 'A' you will need to take down the measurements for windows 'B' and 'C' as **recess** measurements).

## Step 7

Come back to [www.web-blinds.com](http://www.web-blinds.com) and order your blinds!

**Questions about measuring?**

**Call us on 0845 604 9611**

**Email [enquiries@web-blinds.com](mailto:enquiries@web-blinds.com)**