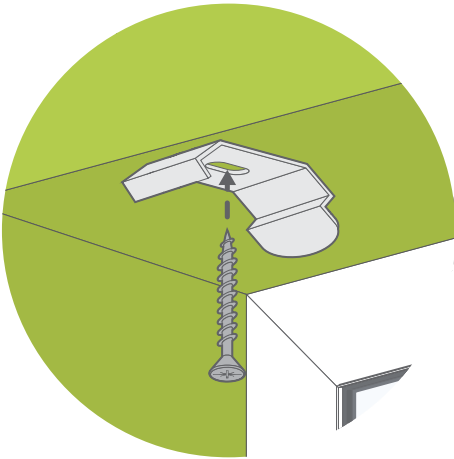


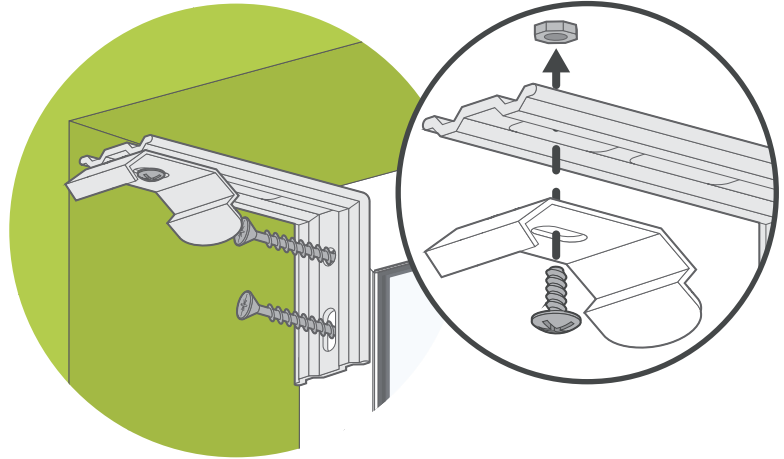
1

### INSTALL THE BRACKETS

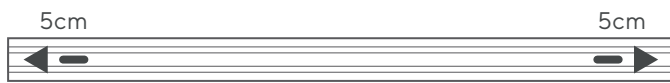
The brackets offer two methods of installation:



**Top-Fix**



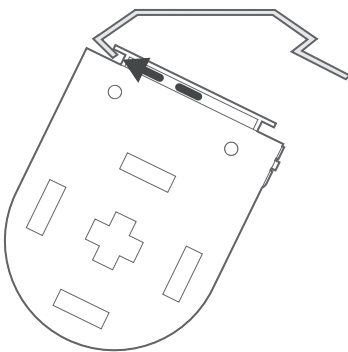
**Face-Fix**



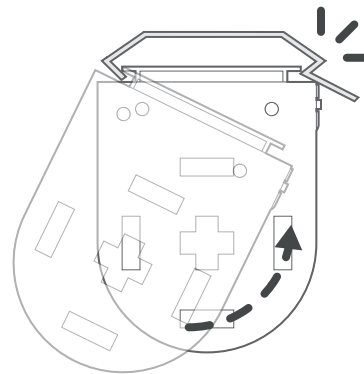
Note that the position of the outermost brackets should be at least 5cm away from the ends of the rail, with any other brackets evenly distributed across the width.

2

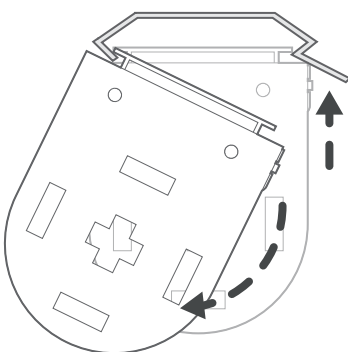
### INSTALL THE BLIND



Situate the front lip of the headrail into the front of the bracket.



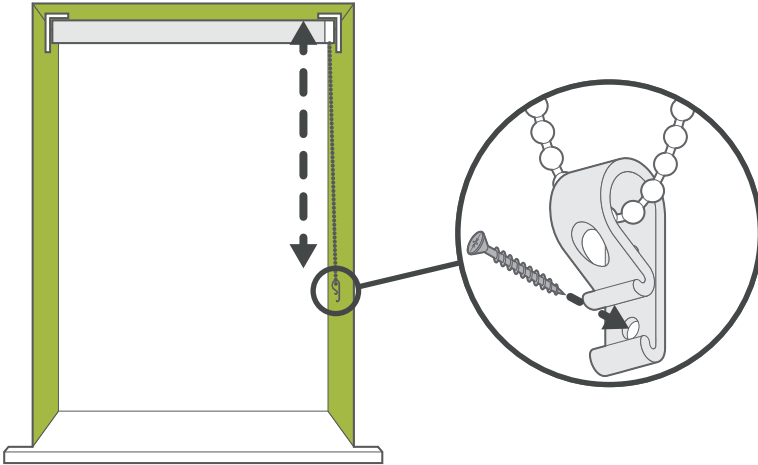
Push the back of the headrail upwards to lock it into the back of the bracket.



To release the blind from the brackets at any point after installing, push up firmly against the tab protruding from the back of the bracket. At the same time, twist the back of the headrail downwards to disengage it at the back.

**Continued on Next Page**

### Cord Tensioner



The cord retaining device must be installed at the maximum distance possible from the control mechanism to prevent looped cords from becoming slack.

Place the retaining device on the wall and mark the position of the screw hole(s) with a pencil.

Attach the retaining device to the wall using the fixings provided.