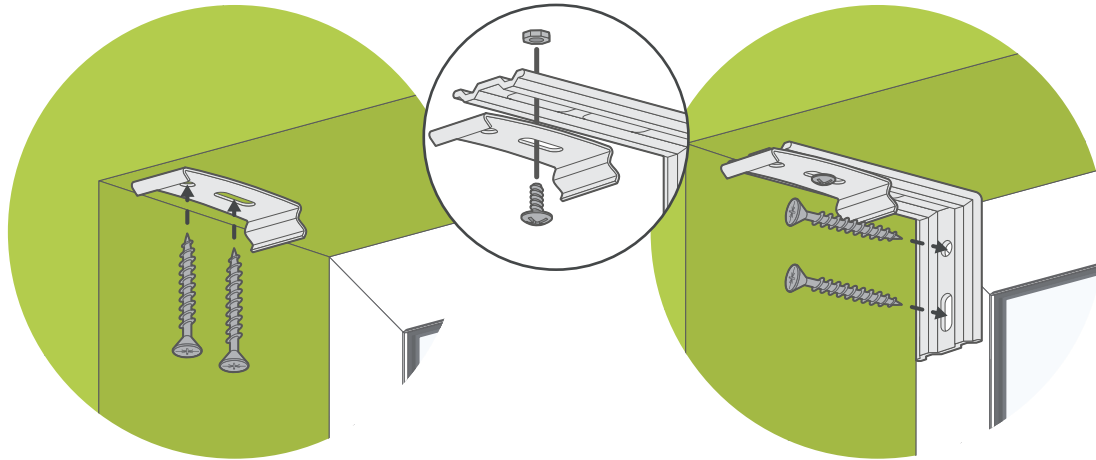


1

INSTALL THE BRACKETS

The brackets offer two methods of installation:

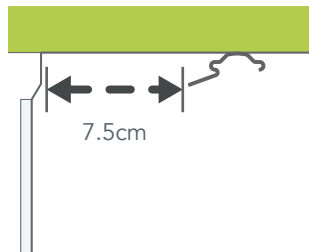


Top-Fix

Face-Fix



Note that the position of the outermost brackets should be at least 5cm away from the ends of the rail, with any other brackets evenly distributed across the width.

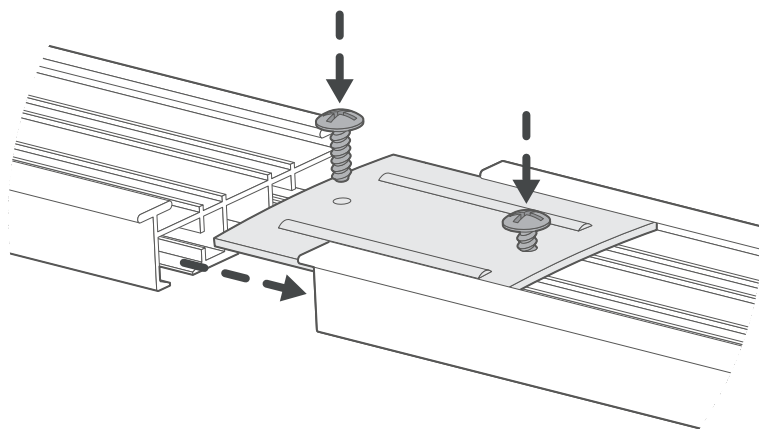


If you're using top-fix brackets, make sure that you mount them at least 7.5cm in front of either the window frame, or any protruding vents or handles, if there are any. This allows space for the louvres to turn open and closed.

2

JOIN THE TRACKS

If your track is less than 2600mm wide, skip to step 3.



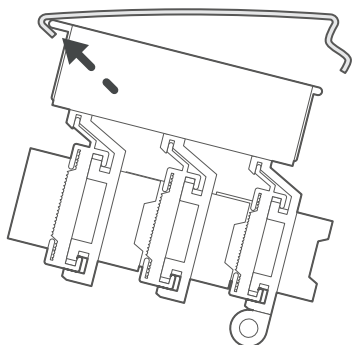
If your width is greater than 2600mm, you will be provided with 2 tracks and a joining plate to connect them together.

Slot the joining plate into the channel at the top of one part of the rail, then slot the other part of the rail into place beside it, ensuring that the joining plate is central. Then insert the provided screws into the holes in the fixing plate and screw in tightly to secure the rails together.

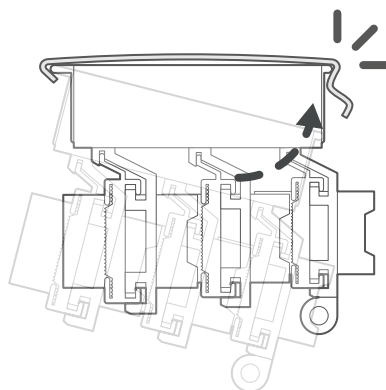
Continued on Next Page

3

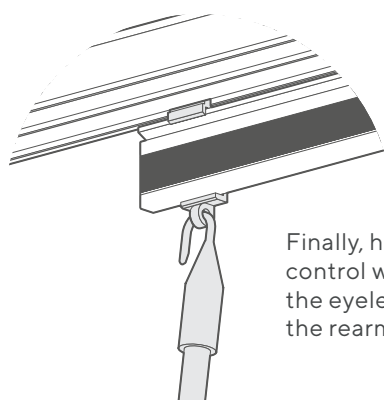
INSTALL THE TRACK



Rest the front lip of the headrail in the front lip of the bracket.

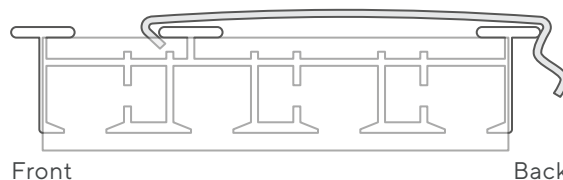


Then twist the back of the headrail upwards until it snaps into place in the rear hook of the bracket.



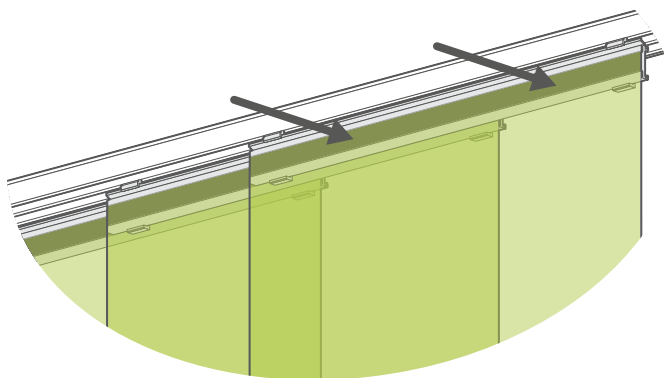
Finally, hook the control wand through the eyelet at the end of the rearmost glider.

For wider tracks with more panels, hook the front hook of the bracket over the centre lip of the headrail, rather than the front lip.



4

ATTACHING THE FABRIC



Simply press the Velcro strip on the back of each panel onto the corresponding strip of each glider.