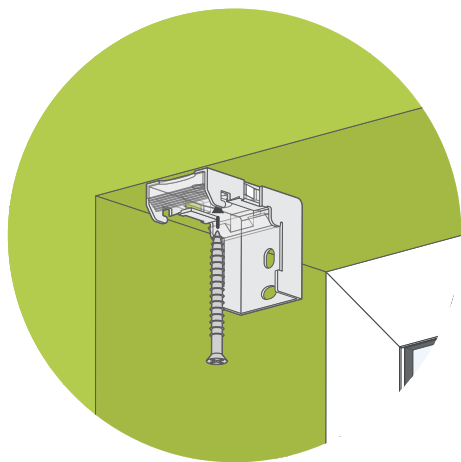


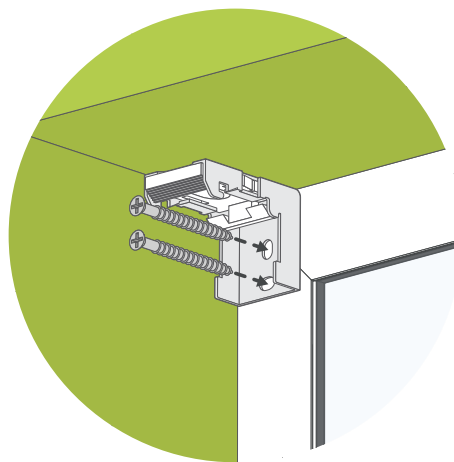
1

INSTALL THE BRACKETS

The brackets offer two methods of installation:



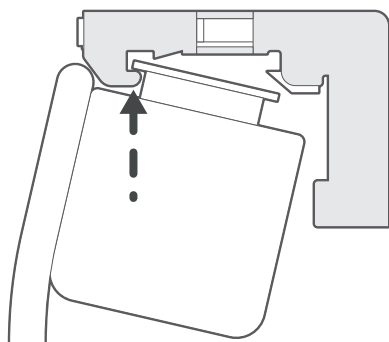
Top-Fix



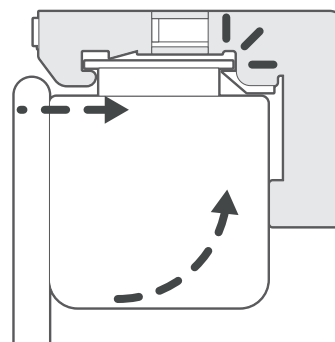
Face-Fix

2

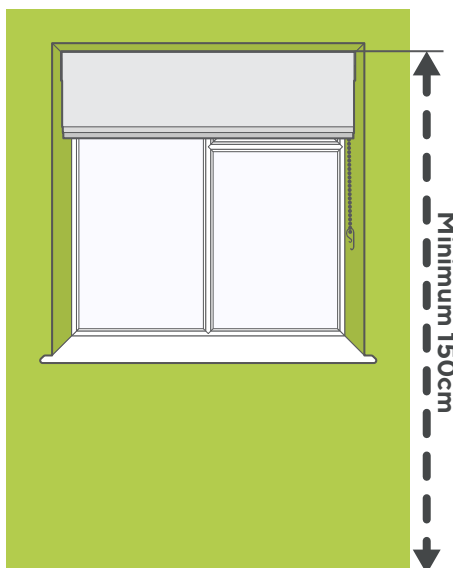
INSTALL THE BLIND



Situate the front lip of the headrail into the front of the bracket.

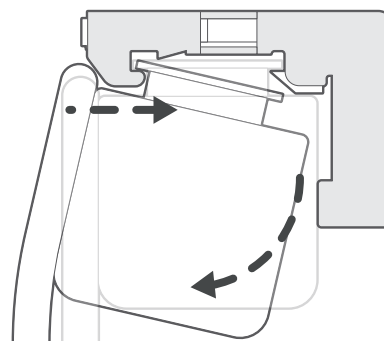


Push the back of the headrail upwards to lock it into the back of the bracket.



For safety reasons, always ensure that the top of the blind is installed at least 150cm (1500mm) from the floor.

To release the blind from the brackets at any point after installing, push firmly against the blind's headrail to disengage it from the front of the bracket. At the same time, twist the back of the headrail downwards to release it from the back.

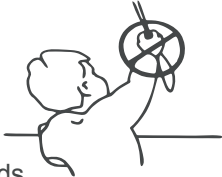


Continued on Next Page

3



Young children can be strangled by loops in pull cords, chains, tapes and inner cords that operate the product.



To avoid strangulation and entanglement, keep cords out of the reach of young children. Cords may become wrapped around a child's neck.

Move beds, cots and furniture away from window covering cords.

Do not tie cords together. Make sure cords do not twist and create a loop.

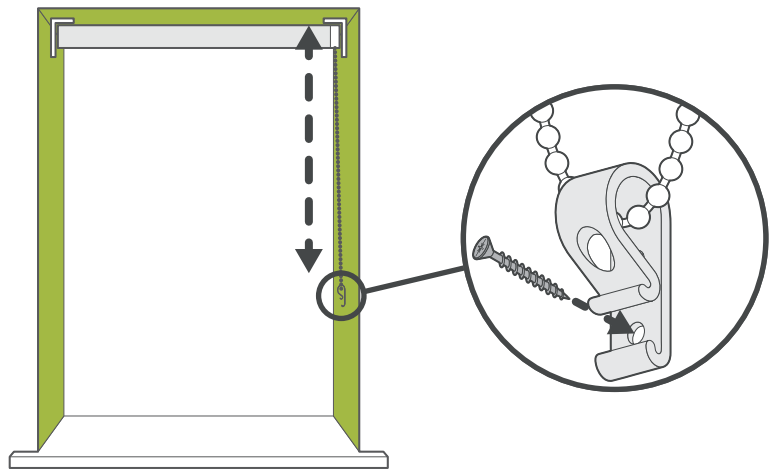
CHILD SAFETY

Cord Tensioner

The cord retaining device must be installed at the maximum distance possible from the control mechanism to prevent looped cords from becoming slack.

Place the retaining device on the wall and mark the position of the screw hole(s) with a pencil.

Attach the retaining device to the wall using the fixings provided.

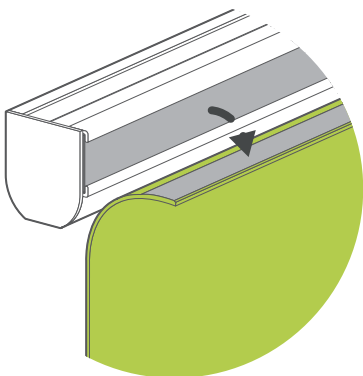


4

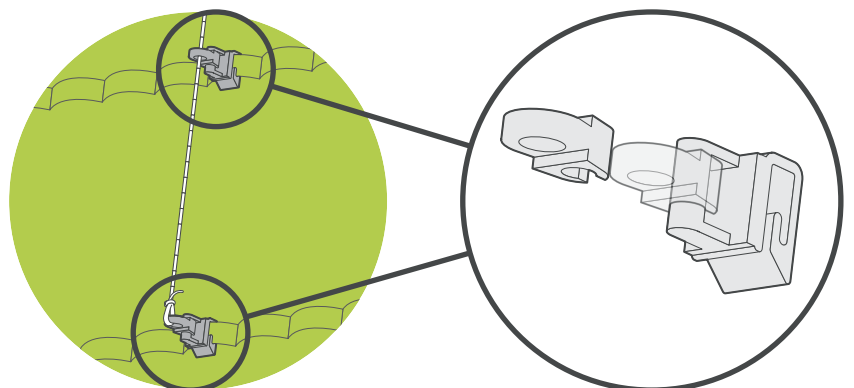
ADDITIONAL INFORMATION

Removing the fabric for cleaning

If you need to remove the fabric, to take it to a dry-cleaner for example, then that's easy.



The fabric attaches at the front with velcro, simply peel the fabric away from the headrail.



At the back, the cords attach to the fabric using clips, which double as a child-safety feature. These clips are in two parts, and can be easily unclipped to separate the cords from the fabric.