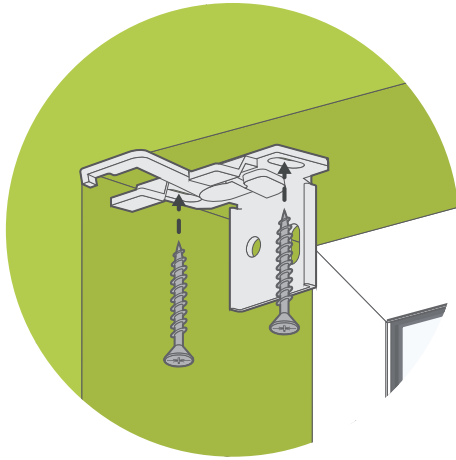


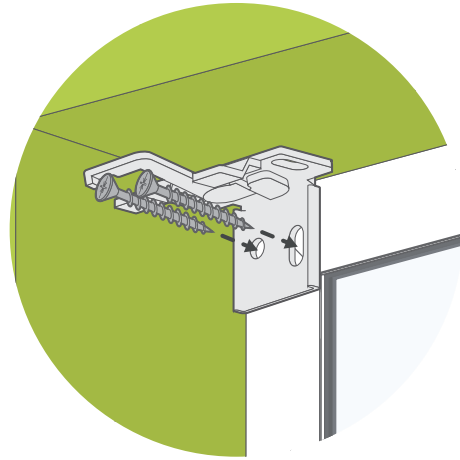
1

INSTALL THE BRACKETS

The brackets offer three methods of installation:



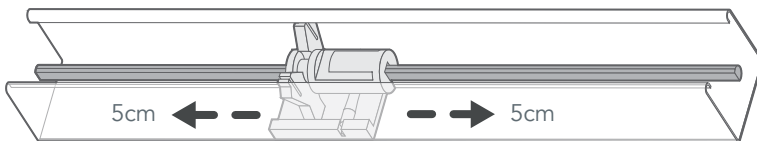
Top-Fix



Face-Fix



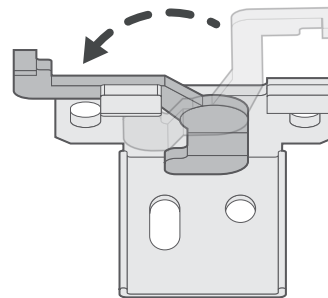
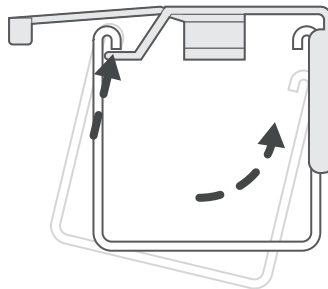
Note that the position of the outermost brackets should be at least 5cm away from the ends of the rail, with any other brackets evenly distributed across the width.



The remainder of the brackets should be spaced evenly along the width of the blind, ensuring that they do not interfere with any of the moving components in the headrail.

2

INSTALL THE BLIND

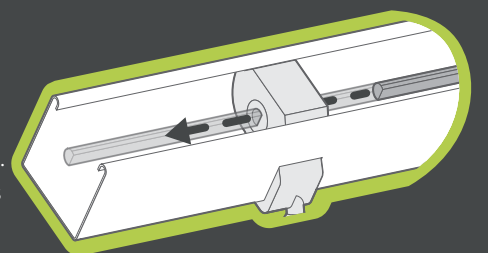


Hook the front lip of the headrail over the protruding hooks at the front of the bracket, then raise the back of the headrail so that it's level. Holding it in this position, swing the swing-arm over and press it firmly against the headrail to lock it in place.

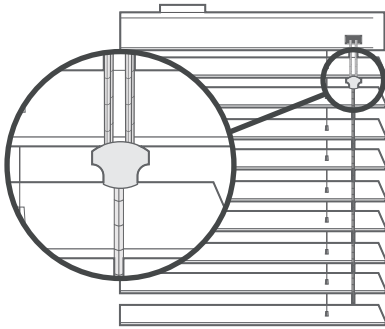
Top Tip

If you twist the wand to tilt the slats but the slats do not move:

- Make sure the slats are open and flat.
- Stack the blind up tightly and lock it off, then take it down from the brackets.
- Push the metal rod inside the headrail all the way over to the left, so that it is connected to the tilting mechanism.

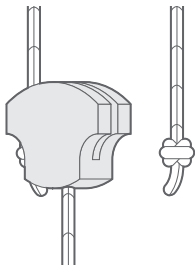


Cord Condenser

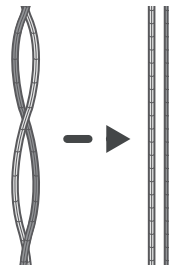


A breakaway cord condenser is pre-fitted to the lift cords so that when a horizontal force is applied to the cords entering the condenser, it safely releases the cords to eliminate any hazardous loops.

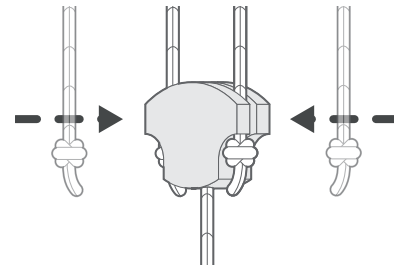
If any cords are pulled from the condenser...



... Make sure the cords aren't twisted or tangled...



... Then slot the cords into the notches on the sides of the condenser, ensuring the knots at the ends of the cords are tight.

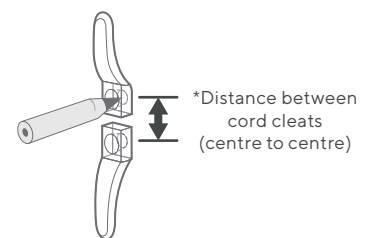


Cord Safety Cleat

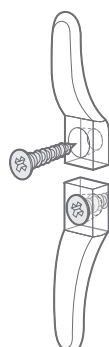
The safety cleat shall be installed as close as possible to the blind's headrail and in all cases not less than 1500mm from the floor. The cord must be fully accumulated around the safety cleat(s) when the blind is not in use. Use the table below to determine the distance required between the cleats to fully accumulate the cords when the blind is fully raised.

Drop of blind	*Distance between cord cleats (centre to centre)
1-1000mm	100mm
1001-2000mm	150mm
2001-3000mm	300mm

Place the safety cleat in the desired position on the wall and mark the positions of the holes with a pencil.



Mark the hole positions and drill as required. Use the screws provided to attach the safety cleat to the wall.



Wrap the cords around the cord cleats in a figure of 8. When the cords are fully accumulated, ensure they are secure so that when any cord is pulled, no excess cord is released.

