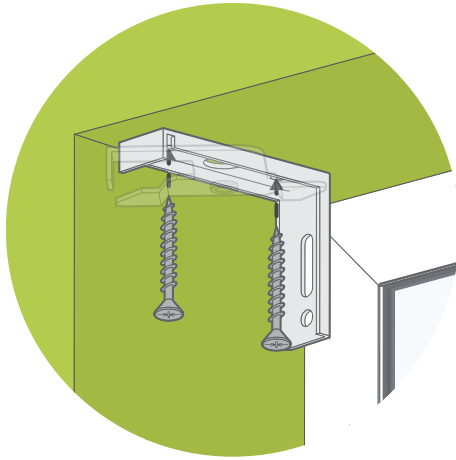


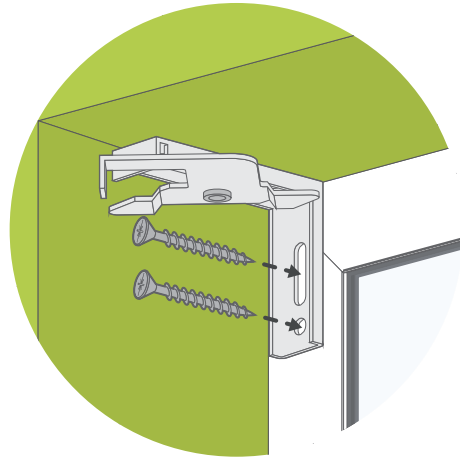
1

INSTALL THE BRACKETS

The brackets offer two methods of installation:

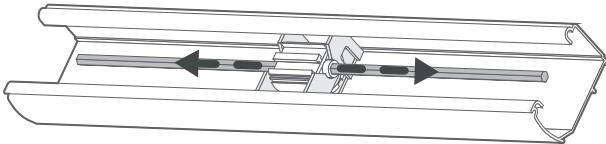


Top-Fix



Face-Fix

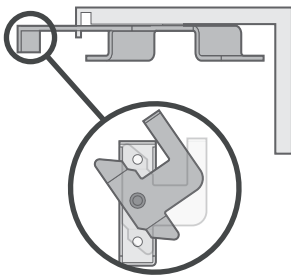
Space the brackets evenly across the width of the blind, with the outermost ones a few centimetres in from the ends.



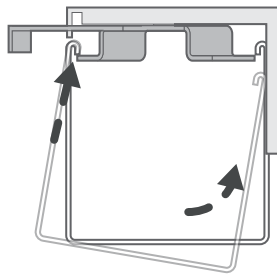
Whilst deciding where the brackets will be fitted, take a moment to make sure that they are not in a position such that they will interfere with the components inside the blind's headrail.

2

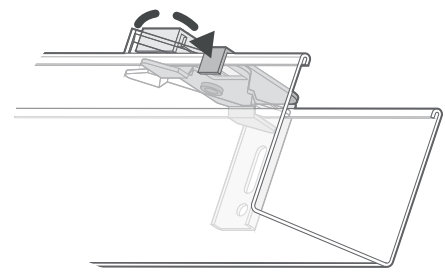
INSTALL THE BLIND



1



2

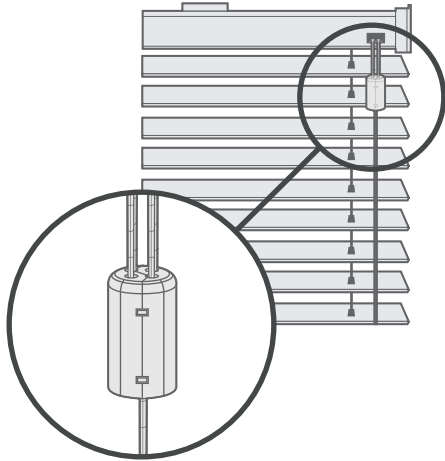


3

- 1 Turn the swivel arm of the bracket to its 'open' position (the swivel arm will be at a roughly 45 degree angle to the rest of the bracket).
- 2 Hold the blind's rail so that the front lip of the rail rests on the front 'hook' of the swivel section. Rotate the back of the rail upwards so that it is level with the back of the bracket.
- 3 Holding the rail in this position, turn the swivel arm of the bracket back towards the rail and press it firmly into place to lock the bracket onto the rail.

Cord Condenser

A breakaway cord condenser is pre-fitted to the lift cords so that when a horizontal force is applied to the cords above the condenser, it safely breaks away to eliminate any hazardous loops in the cords.



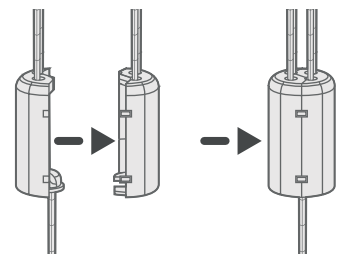
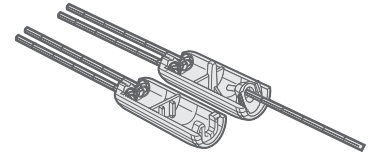
If the cord condenser is pulled apart:

Untangle and untwist the cords.

For 2 cords: press the cord condenser together until it is fully closed.

For 3 cords: Place the loose cord in the opening in one half of the cord condenser and press the cord condenser together until it is fully closed.

For 4 cords: Place one of the loose cords in the opening of one half of the condenser, the remaining loose cord in the opening in the other half, then press the cord condenser together until it is fully closed.

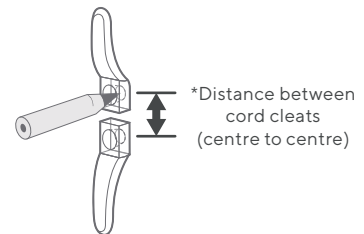


Cord Safety Cleat

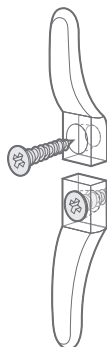
The safety cleat shall be installed as close as possible to the blind's headrail and in all cases not less than 1500mm from the floor. The cord must be fully accumulated around the safety cleat(s) when the blind is not in use. Use the table below to determine the distance required between the cleats to fully accumulate the cords when the blind is fully raised.

Drop of blind	*Distance between cord cleats (centre to centre)
1-1000mm	100mm
1001-2000mm	150mm
2001-3000mm	300mm

Place the safety cleat in the desired position on the wall and mark the positions of the holes with a pencil.



Mark the hole positions and drill as required. Use the screws provided to attach the safety cleat to the wall.



Wrap the cords around the cord cleats in a figure of 8. When the cords are fully accumulated, ensure they are secure so that when any cord is pulled, no excess cord is released.

