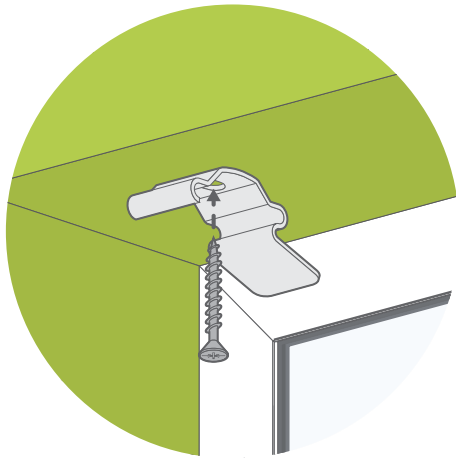
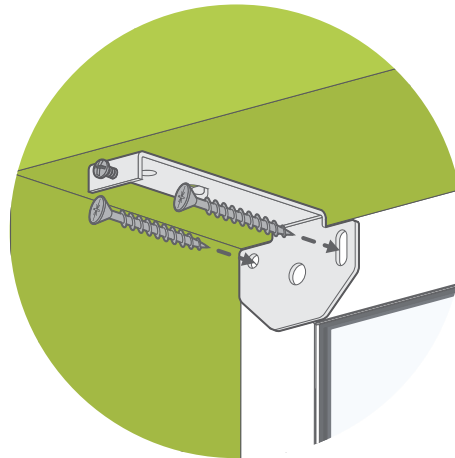


1

INSTALL THE BRACKETS



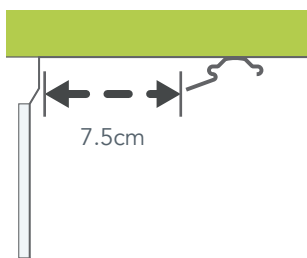
Top-Fix



Face-Fix



Note that the position of the outermost brackets should be at least 5cm away from the ends of the rail, with any other brackets evenly distributed across the width.



If you're using top-fix brackets, make sure that you mount them at least 7.5cm in front of either the window frame, or any protruding vents or handles, if there are any. This allows space for the louvres to turn open and closed.

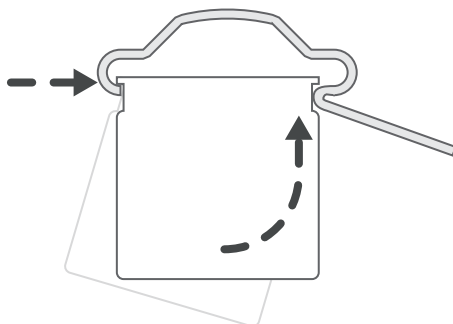
2

INSTALL THE RAIL

Top-Fix

Situate the front lip of the headrail into the front of the bracket.

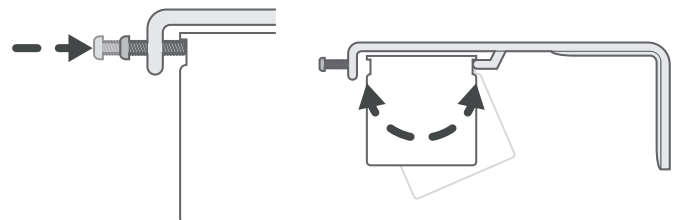
Lift the back of the headrail and push up firmly to secure the back of the rail into the bracket.



Face-Fix

Situate the back lip of the headrail into the back hook of the bracket.

Lift the front of the headrail so it's level, then tighten the screw in the front of the bracket to secure the rail in place.



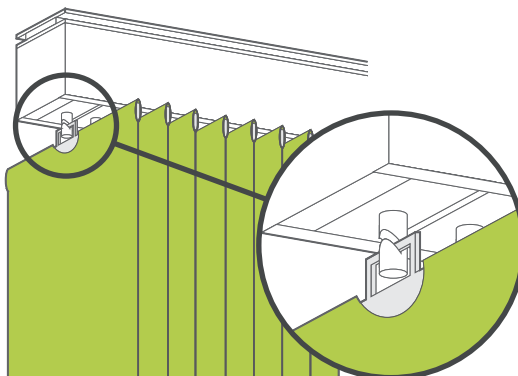
Continued on Next Page

Top Tip

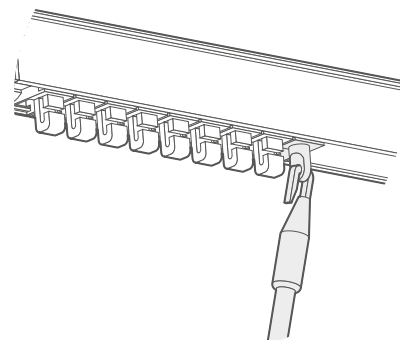


Before hooking the louvres on the rail, use the beaded chain to turn the hooks so that they all face side on. This makes it far quicker to hook the louvres on and also ensures that the louvres will not clash when you first use the blind.

Hook the louvres onto the rail.



Hook the control wand onto the eyelet at the end of the hooks.



Finally, slide the weight into the pocket at the bottom of the louvre and clip the stabilising chain onto the weights; one chain will run along the back and the second will run along the front. Any excess clips can be cut away, just snip the cord flush to the last clip attached to a weight.

