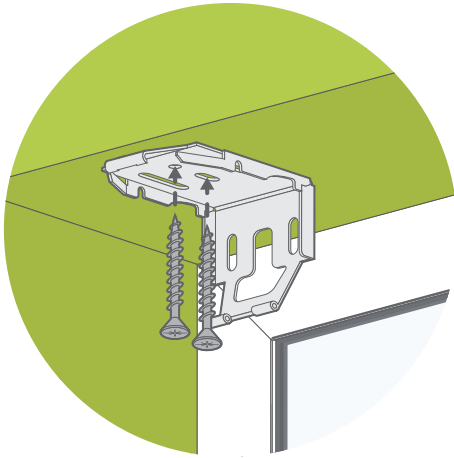
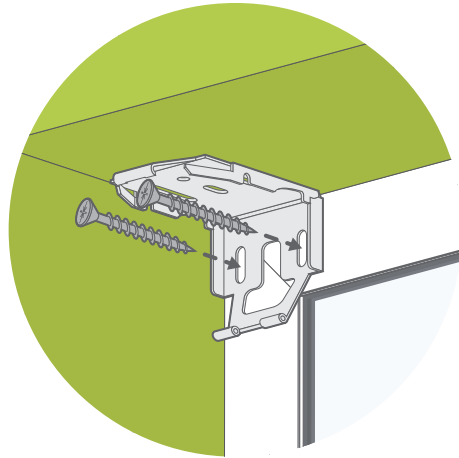


The brackets offer two methods of installation:

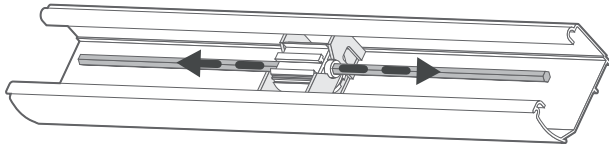


Top-Fix



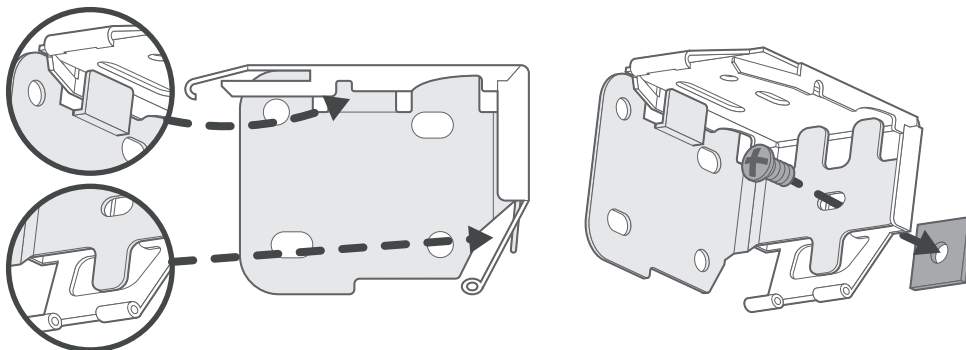
Face-Fix

Space the brackets evenly across the width of the blind, with the outermost ones a few centimetres in from the ends.

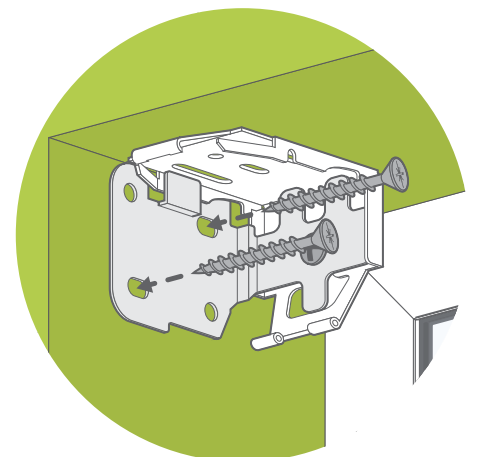


Whilst deciding where the brackets will be fitted, take a moment to make sure that they are not in a position such that they will interfere with the components inside the blind's headrail.

If you have requested side-fixing accessories with your brackets then these will be included with the fittings.



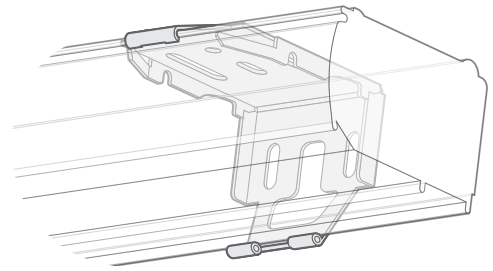
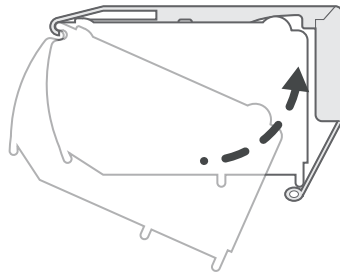
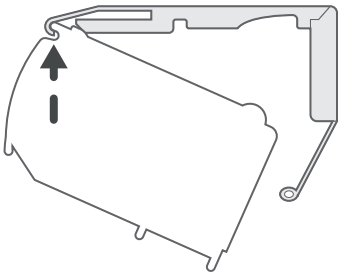
Slot the side-fixing accessory into the inside of the bracket as shown, then use the provided fittings to secure them together.



Use the holes in the side-fixing accessory to side-fix the bracket into the recess.

2

INSTALL THE BLIND



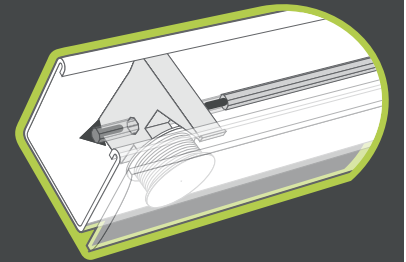
Holding the rail at an angle with the back tipped downwards, locate the front lip at the top of the headrail into the front hook of the bracket. Then, push the back of the headrail upwards until the bracket's rear hook snaps into place.

When the headrail is securely inserted into the bracket, you will be able to see the front (top) and back (lower) catches of the bracket.

Top Tip

If you pull the cords to tilt the blind but the slats do not move:

- Make sure the slats are open and that the tilt cords are both the same length.
- Stack the blind up tightly and lock it off, then take it down from the brackets.
- Push the metal rod inside the headrail all the way over to the left, so that it is connected to the tilting mechanism.

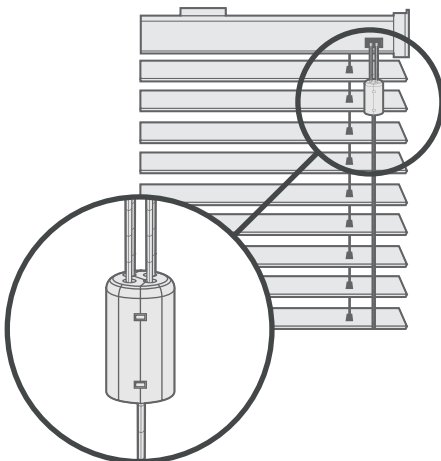


3

CHILD SAFETY

Cord Condenser

A breakaway cord condenser is pre-fitted to the lift cords so that when a horizontal force is applied to the cords above the condenser, it safely breaks away to eliminate any hazardous loops in the cords.



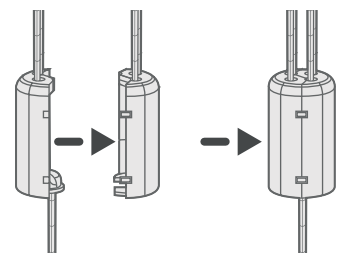
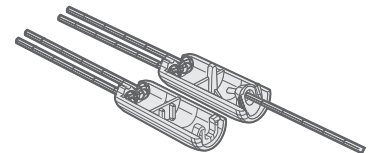
If the cord condenser is pulled apart:

Untangle and untwist the cords.

For 2 cords: press the cord condenser together until it is fully closed.

For 3 cords: Place the loose cord in the opening in one half of the cord condenser and press the cord condenser together until it is fully closed.

For 4 cords: Place one of the loose cords in the opening of one half of the condenser, the remaining loose cord in the opening in the other half, then press the cord condenser together until it is fully closed.



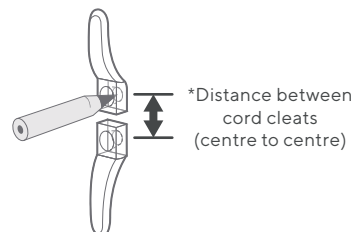
Continued on Next Page

Cord Safety Cleat

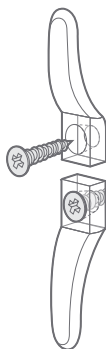
The safety cleat shall be installed as close as possible to the blind's headrail and in all cases not less than 1500mm from the floor. The cord must be fully accumulated around the safety cleat(s) when the blind is not in use. Use the table below to determine the distance required between the cleats to fully accumulate the cords when the blind is fully raised.

Drop of blind	*Distance between cord cleats (centre to centre)
1-1000mm	100mm
1001-2000mm	150mm
2001-3000mm	300mm

Place the safety cleat in the desired position on the wall and mark the positions of the holes with a pencil.



Mark the hole positions and drill as required. Use the screws provided to attach the safety cleat to the wall.



Wrap the cords around the cord cleats in a figure of 8. When the cords are fully accumulated, ensure they are secure so that when any cord is pulled, no excess cord is released.

