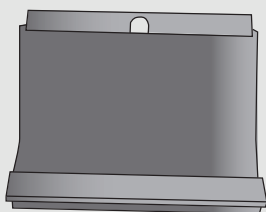


# How to fit and operate your Skylight Roller blind

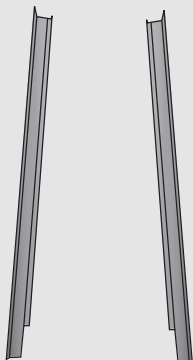
## You should have:

First check you've got all the fittings that come with your Skylight Roller blind

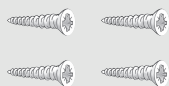
Blind cassette: 1



Side channels: 2



Wood screws: min 4

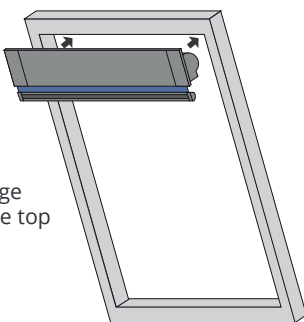


## Fitting your Skylight Roller blind

You can fit your Web-Blinds Skylight Roller blind in a few straightforward steps. Just do these in order and you'll soon have your new blind up.

### Fit your Skylight Roller blind

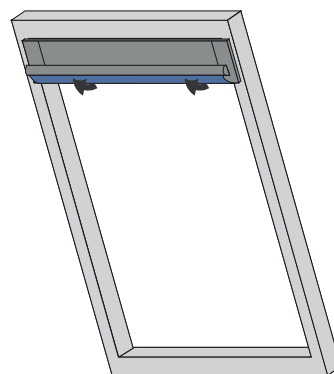
**1**



Slot the cartridge into place at the top of the window

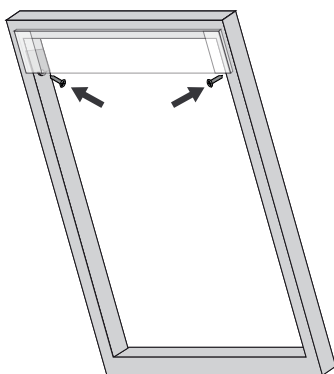
**Top Tip:** If you're using a ladder to access the window then you can put your screws into the holes in the cartridge (just give them one turn each) before step 1

**2**



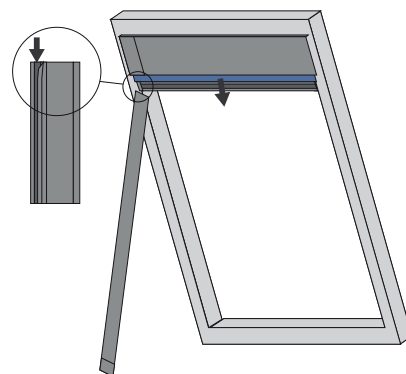
Move the bar at the bottom of the fabric out of the way so that you have clear access to the holes for the screws

**3**



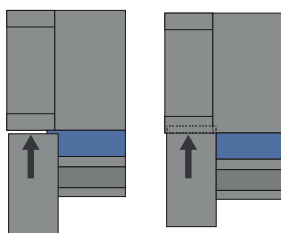
Use one screw on each side to fix the cartridge in place. (Take care not to over-tighten the screws, as long as they touch the plastic, it's enough to hold the blind securely)

**4**



Make sure that the handle is sitting centrally on the fabric, if it isn't then just slide it sideways so that there is an equal amount of fabric overlapping either end. Pull the blind down just far enough to be able to slide the fabric into the channel. The end of the channel has been angled to allow the fabric to slide neatly into place

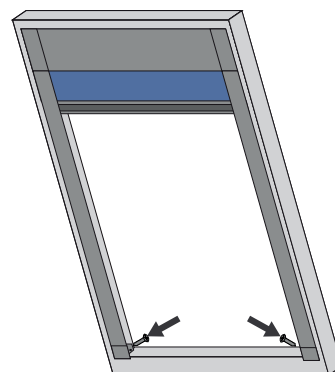
**5**



Slot the channel into place just underneath the cartridge fascia (there is a small tab to guide the channel into place, the front of the channel should sit between the fascia and this tab)

**Top Tip:** Slotting the side channels into place is really simple, just concentrate on feeding the fabric into the channel and the rest of the components will automatically fall into place

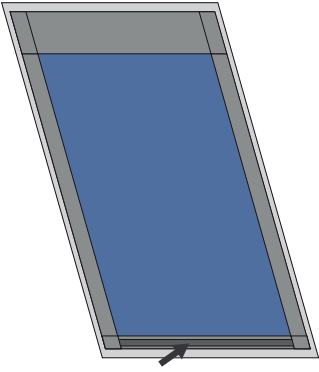
**6**



Use the remaining two screws to secure the channels in place. Remember not to over-tighten them

## Operating your blind

Operating your blind is easy. Just follow these instructions.



To lower your blind, pull the handle downwards. The blind will hold at any position when you let go

To raise the blind, gently push the handle back towards the glass and keep the handle in this position, this will release the lock and the blind will rise. Let go of the handle and the blind will stop rising

## Be safe

- Keep all cords and chains out of children's reach.
- Move cots, beds and other furniture away from blinds