

How to measure for an Angled Bay Window

Further Info

YOU WILL NEED:

- 2 Pieces of A4 or A5 paper
- Pencil
- Tape Measure
- Ruler

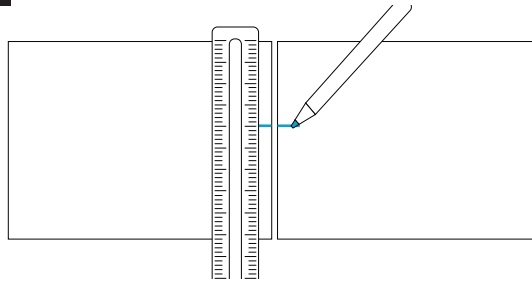
The purpose of using this guide is to make the correct allowances to ensure that the blinds do not interfere with each other when fitted.

Step 1 of the guide asks you to consider the headrail depth of the blind you're measuring for - this is the distance from the window frame that the blind will protrude.

If you have any handles or other obstructions protruding from the frame then you must measure the distance they protrude, and add that to the measurement for your blind in the table below, this will be your final headrail depth.

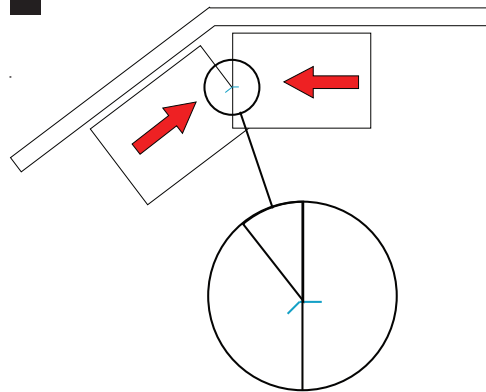
Blind type	Depth
Wood / Fauxwood blind (35-38mm slats)	65mm
Wood / Fauxwood blind (50mm slats)	70mm
Wood / Fauxwood blind (63-65mm slats)	80mm
Venetian blind (25mm slats)	30mm
Pleated blind	45mm
Roller blind (face-fixed)	70mm
Roller blind (top-fixed)	50mm
Enjoy roller blind	85mm
Vertical blind	75mm

1



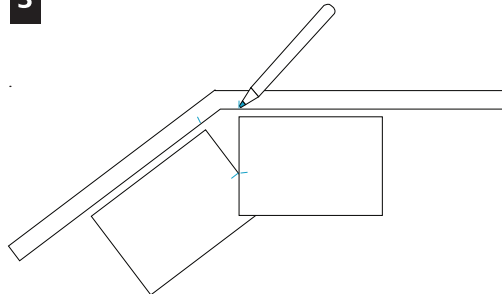
Take your two pieces of paper and measure the required rail depth (see left) from the back edge of the paper using your ruler, and make a mark on each piece at that measurement.

2



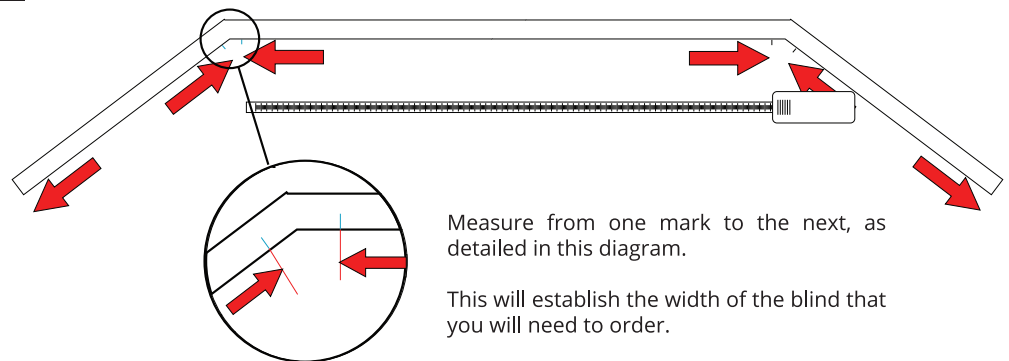
Rest your two pieces of paper on the sill with their back edges flush to the window frame, and draw them toward each other until the marks you made meet up.

3



Follow the edge of the paper back to the window frame and, using the pencil, make a mark on the window sill.

4



Measure from one mark to the next, as detailed in this diagram.

This will establish the width of the blind that you will need to order.

5

Lastly, measuring the drop is easy - just measure the drop from where the top of the blind will sit down to where you want the blind to end (typically the window sill).

All of the blinds should then be ordered as 'Exact Fitting'.